

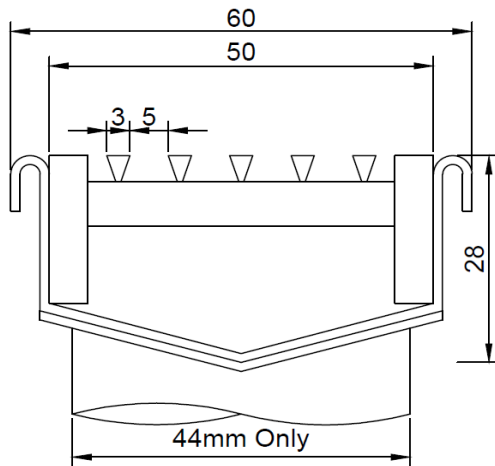
SPS Heel-Friendly Lineal Grate & V-Shaped Channel

Specification Codes:

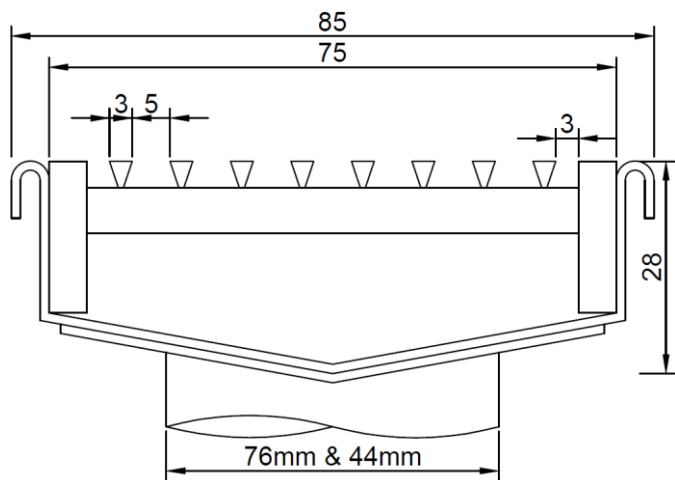
SSVC6028H – 60mm wide x 28mm deep (44mm outlet)
 SSVC8528H – 85mm wide x 28mm deep (76mm & 44mm outlets)
 SSVC11028H – 110mm wide x 28mm deep (89mm, 76mm & 44mm outlet)

- Architectural Heel-Friendly Grate
- Complete 316SS Assembly
- Can be supplied modular (loose outlets & endcaps)
- V-Channel promotes internal fall.

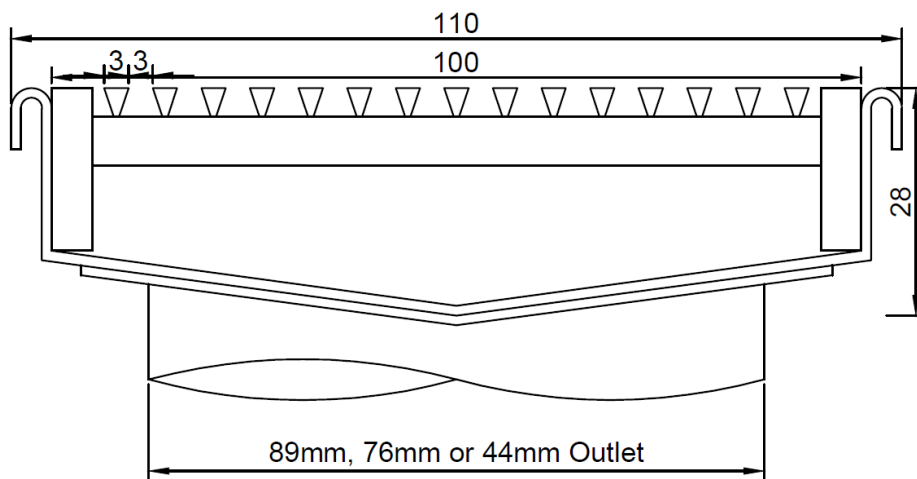
SSVC6028H:



SSVC8528H:



SSVC11028H:



- Most common profile which encourages flow of water towards outlet
- Available in a large range of sizes - 60mm, 85mm & 110mm
- Comes in standard depth of 28mm across all sizes

DISCLAIMER – All SPS Lineal Grates come with a +/- tolerance of 2mm